

Q-LON POLYURETHANE FOAM SEALS: FOR ENTRY DOORS/WINDOWS

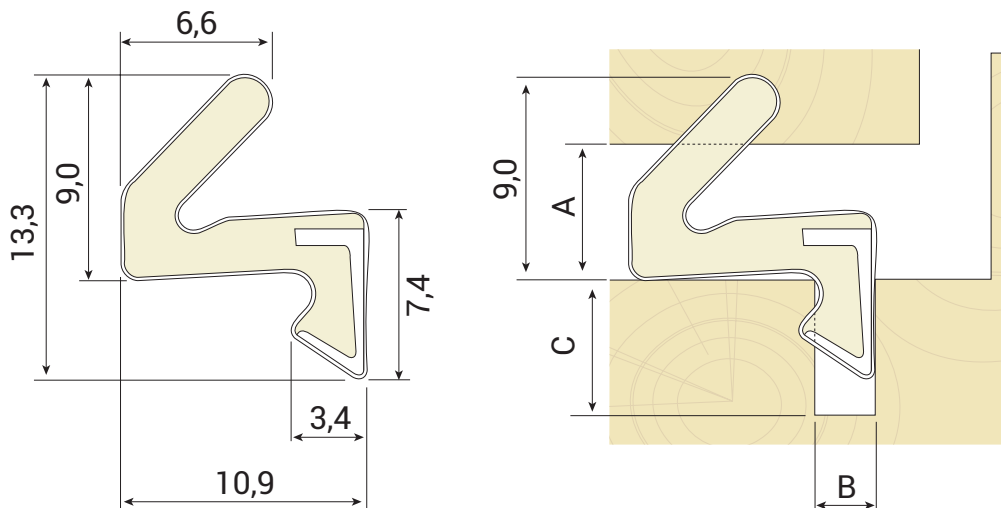
QL 3009
2Q035

TECHNICAL SPECIFICATION

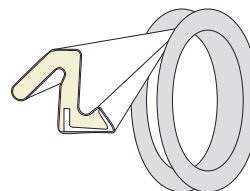
- A** Seal gap: 4,0 mm minimum to 7,5 mm maximum
 - B** Groove width: 2,7 – 3,0 mm nominal
 - C** Minimum groove depth: 6,0 mm
- Rebate dimension: 11,0 mm

PACKAGING

250 m x 2



Coil direction



Colours (≈ RAL)			
7001	8019	9003	9005
Silver Grey	Brown	White	Black

Other colours upon request